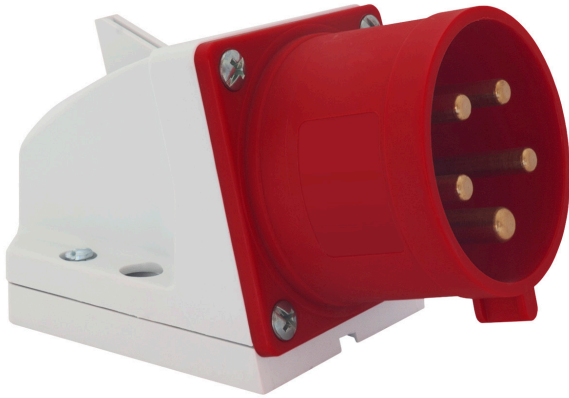
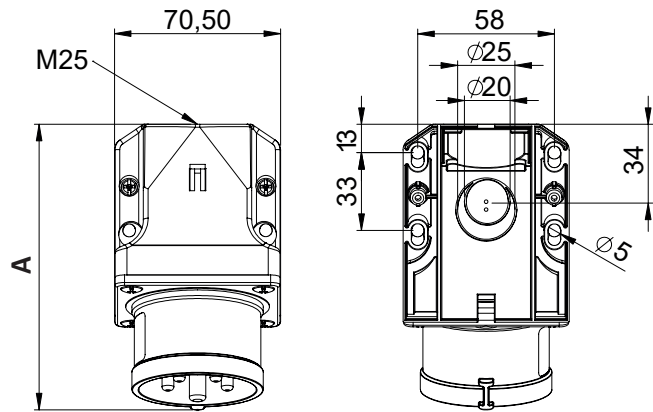


POWtec CEE Wall Mounted Inlets IP44



- Splash-proof, IP44
- Screw terminals
- Cable entry from above or behind
- Including self-sealing grommet
- Brass contacts



Maximum Conductor Cross-section		
Current Rating	Flexible	Solid
16A	4mm ²	6mm ²
32A	6mm ²	10mm ²

Dimensions (mm)						
Poles	3	4	5	3	4	5
Current	16A			32A		
A	120	121	122	131	131	132
B	76	76	79	82	82	85
M	25	25	25	25	25	25
Weight (g)	173	188	205	212	232	253

B = Height, Angle = 15°

Voltage		110 V~	230 V~	400 V~
Frequency		50/60 Hz	50/60 Hz	50/60 Hz
Designation		4h	3p = 6h 4p/5p = 9h	3p = 9h 4p/5p = 6h
Current	Poles	Part No.	Part No.	Part No.
16A	3	POWtecP-316Y-S044	POWtecP-316B-S044	-
16A	4	POWtecP-416Y-S044	POWtecP-416B-S044	POWtecP-416R-S044
16A	5	-	POWtecP-516B-S044	POWtecP-516R-S044
32A	3	POWtecP-332Y-S044	POWtecP-332B-S044	-
32A	4	POWtecP-432Y-S044	POWtecP-432B-S044	POWtecP-432R-S044
32A	5	-	POWtecP-532B-S044	POWtecP-532R-S044